



**AVERY
DENNISON**

Fastener
Solutions

7.5" Super Bar-Lok[®] Cable Ties Marketing Specifications

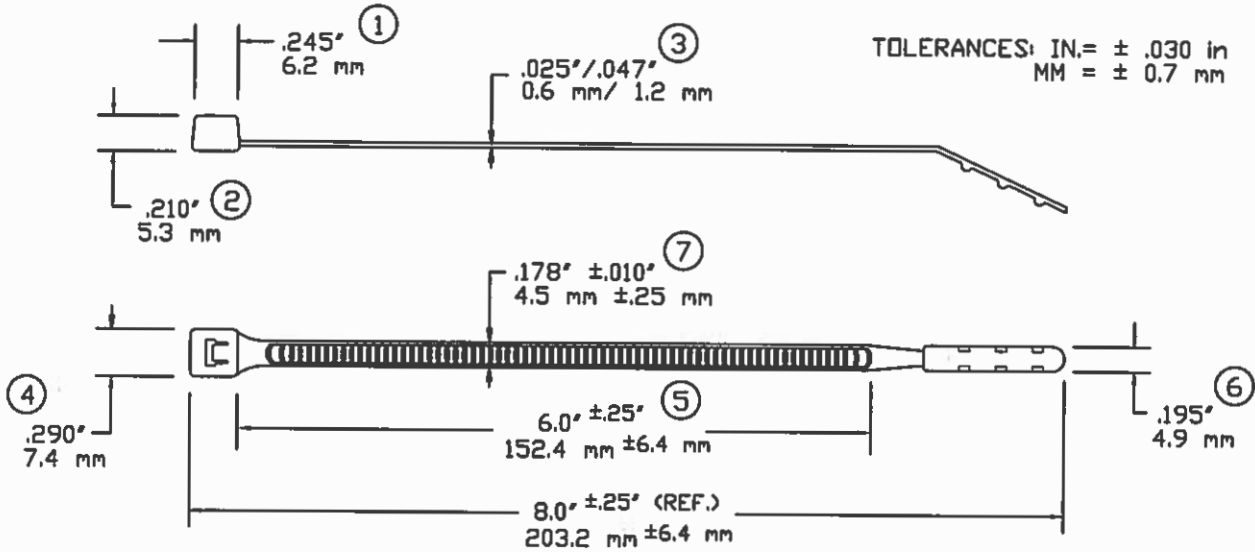
For the following part numbers:

10001-0

10003-0

August 1, 2018

AVERY DENNISON MARKETING SPECIFICATION



NOT TO SCALE

LOOPED TENSILE STRENGTH:	50 Lbsf. / 220N MINIMUM
MILITARY STANDARD:	MS3367-1-9
MATERIAL:	NYLON 6/6 NATURAL
WEIGHT:	.0272 oz. / .80 grams
BUNDLE DIAMETER:	Ø0.063"/1.59mm to 1.75"/44.5mm
MIN. INSTALLATION TEMP:	32°F(0°C)
OPERATING TEMPERATURE:	-40°F(-40°C) to 185°F (85°C)
APPLICATION TOOL:	TOOL, HAND ADJUSTABLE, FOR PLASTIC TIE DOWN STRAP. AVERY DENNISON PART NUMBER 12001.
TOOL TENSION SETTING:	6-8
PACKAGED IN:	1000/BAG, 5000/CASE

Plenum rated and has a flammability rating of V-2.
UL applications require use within enclosures.



FASTENER DIVISION
FITCHBURG, MA 01420 U.S.A.
TEL 1-800-225-5813
MA. 978-353-8157



DESCRIPTION:

7.5" SUPER BAR-LOK[®] CABLE TIE
STANDARD

APPROVAL:

Linda Buege 04/11/16

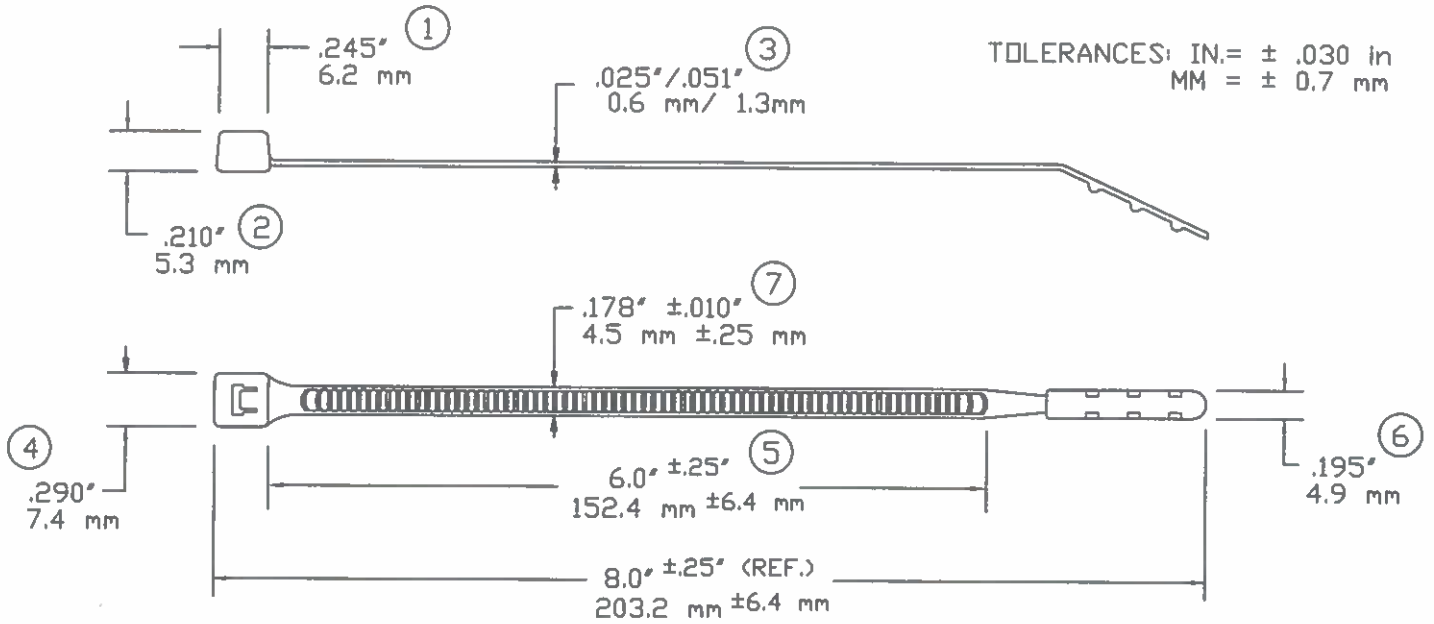
STOCK NO.

10001-0

REV

M

EVERY DENNISON MARKETING SPECIFICATION



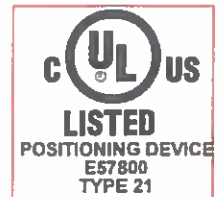
NOT TO SCALE

LOOP TENSILE STRENGTH:	50 Lbf./ 220N MINIMUM
MILITARY STANDARD:	MS3367-1-0
MATERIAL:	NYLON 6/6 - BLACK HEAT STABILIZED
WEIGHT:	.0272 oz. / .80 grams
BUNDLE DIAMETER:	∅0.063"/1.59mm to 1.75"/44.5mm
MIN. INSTALLATION TEMP:	32°F(0°C)
OPERATING TEMPERATURE:	-40°F(-40°C) to 220°F (105°C)
APPLICATION TOOL:	TOOL, HAND ADJUSTABLE, FOR PLASTIC TIE DOWN STRAP. AVERY DENNISON PART NUMBER 12001.
TOOL TENSION SETTING:	6-8
PACKAGED IN:	1000/BAG, 5000/CASE

Plenum rated and has a flammability rating of V-2.



FASTENER DIVISION
FITCHBURG, MA 01420 U.S.A.
TEL. 1-800-225-5913
MA. 978-353-8157



DESCRIPTION:

7.5" SUPER BAR-LOK[®] CABLE TIE
STANDARD

APPROVAL:

L Boyle 4-6-17

STOCK NO.

10003-0

REV
M